

## Standard Square Top Fence Panel

---

Specification Sheet

TFS100110

12/01/24

**safesite**<sup>®</sup>  
F A C I L I T I E S



## Standard Square Top Fence Panel

SafeSite's Square Top fencing is a reliable and quick way to secure the perimeter of a site.

Our fence panels are used by the construction and event management industries for site demarcation, and to direct the public away from construction hazards or towards secure areas.

The standard square corners and the industry leading Smartweld™ technology ensure that our square top anti-climb fence panels are one of the toughest, and most durable temporary fence panel systems on the market.

Smartweld™ is a alternative resistance welding method that ensures that all tubes are welded fully around their circumference and each wire is welded to the frame for 70% more strength and a safer product.

## Key Features

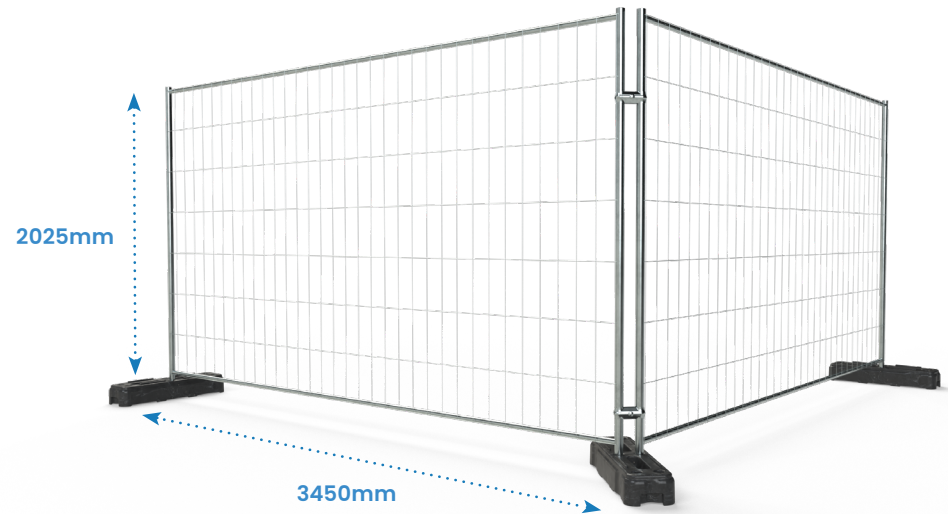
- › Integrates with vehicle and pedestrian gates
- › Easy to stack and transport
- › Galvanised Finish
- › Lightweight and easy to install
- › Square corners
- › Smartweld™ technology



Event Fencing



Easy To Stack and Store



Description	Size (mm)	Weight (kg)
TFS100110 - Standard Square Top Fence Panel	H2025 x W3450 x D40	10.5



## Fence Panel – Wind Loading

The following wind loading tests were carried out using the ZND performance calculator on three of the most commonly used bracing systems and a standard setup without a stabiliser.

Each of the configurations to the right include ST25 Standard panels combined with a hi-vis rubber foot, anti-lift bracket, 2 x couplers and a unique bracing system.

When applicable to add different amounts of kentledge to a stabiliser system it is the installers responsibility to ensure the correct amount of kentledge is applied.

These calculations are only providing results for 'Above Ground Stabilisation'.

1 Fence Panel + Rubber Foot Centre Hole

25mph



2 Fence Triangle Buttress at Every Third Panel

33mph



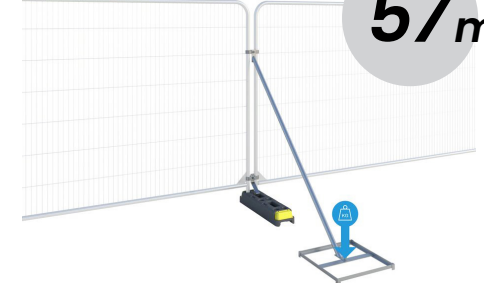
3 Fence Panel + Rubber Feet + Fence Stabiliser

36mph



4 Fence Panel + Stabiliser with block tray + 13kg Loaded on to block tray

57mph



Simple and quick layout



Double rubber feet in use



## Pedestrian and Vehicle Gates

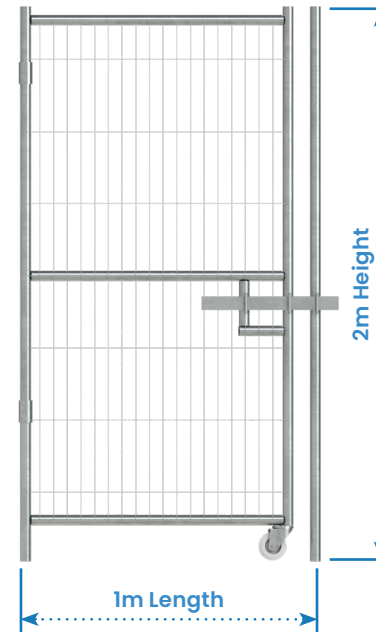
Alongside our fencing we offer a range of pedestrian and vehicle gates to allow you to add access points at your site.

Our Pedestrian gates are 1m wide and come in both framed and unframed options. They can be used in line with our fencing and connect using any standard couplers. They feature a sliding latch with pad lock hole to allow you to securely lock that entrance point to your site.

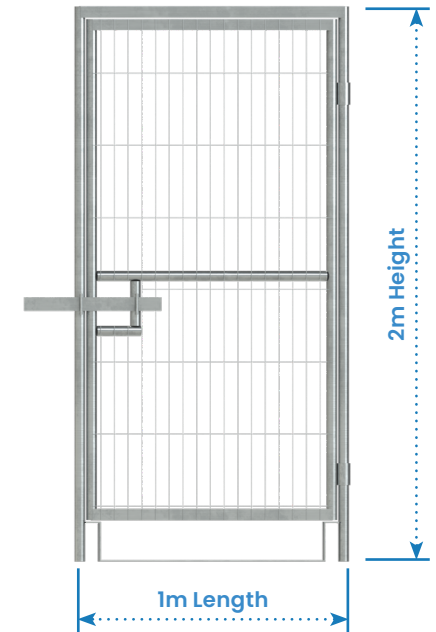
The vehicle gates that we offer come in range of sizes from our standard 4m all the way up to 7m wide. Each includes a double gate leaf design with a sliding latch that locks and a caster wheel to help with manoeuvring the gate once installed.

All gates come in your choice of galvanised or powder coated finish as standard. This is for added longevity and rust resistance.

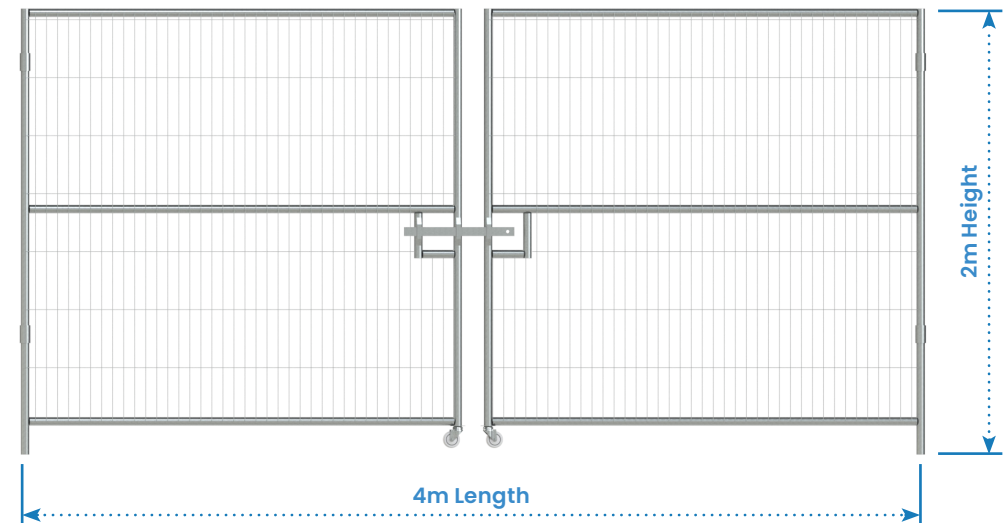
Unframed Ped Gate



Framed Ped Gate



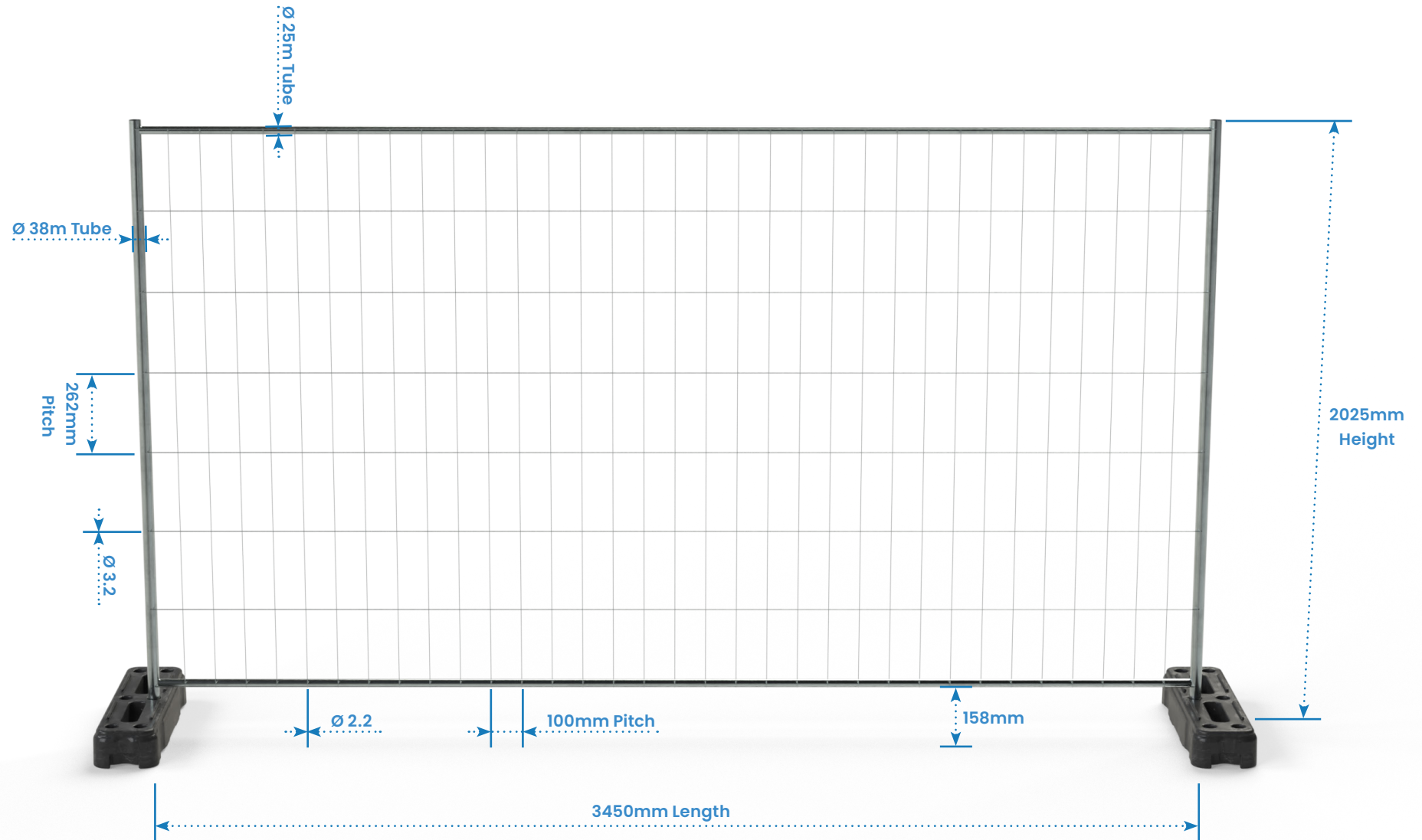
4m Wide Vehicle Gate



Description	Size (mm)	Weight (kg)
TFS100200 - Unframed Ped Gate	H2000 x W1000 x D40	10
TFS100210 - Framed Ped Gate	H2000 x W1000 x D40	16
TFS100320 - 4m Wide Vehicle Gate	H2000 x W4000 x D40	28
TFS100330 - 5m Wide Vehicle Gate	H2000 x W5000 x D40	32
TFS100340 - 6m Wide Vehicle Gate	H2000 x W6000 x D40	37
TFS100350 - 7m Wide Vehicle Gate	H2000 x W7000 x D40	41



## Technical Details



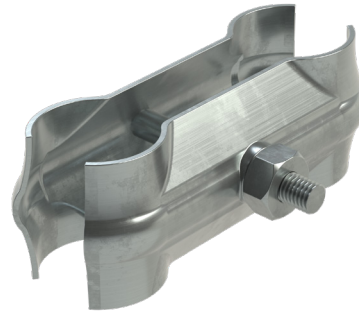


## Installation Parts

### Components you will need

Please see following pictures and quantities of additional parts you may require with each anti-climb fence panel, the parts below are an essential safety requirement when installing the anti-climb fencing correctly.

**1** Couplers  
Qty: 4



**2** Spanner  
Qty: 1



**3** Thermo-Plastic Feet  
Qty Min: 2



**4** Anti-Lift Bracket  
Qty: 1



**5** Fence Stabiliser  
Qty: 1

